

چشمی قرقری داخل رزوه

MODEL : PHS



alisanat.com



copyright © photo by alisanat.com

alisanat.com



copyright © photo by alisanat.com

alisanat.com

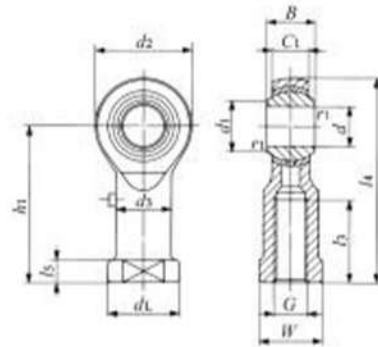


copyright © photo by alisanat.com

alisanat.com



copyright © photo by alisanat.com



PHS

| Identification number | Mass (Ref.) g | Boundary dimensions mm | | | | | | | | | | | | | | | Dynamic load capacity C_d N | Static load capacity C_s N |
|-----------------------|------------------|------------------------|---------------|-------|-------|-----|-------|-------|-------|-------|-------|-----|-------|-------|---------------------|-------------------------------|-------------------------------------|------------------------------------|
| | | d | Thread G | d_2 | C_1 | B | d_1 | l_4 | h_1 | l_3 | l_5 | W | d_3 | d_L | $r_{1s \min}^{(1)}$ | Ball dia. mm (inch) | | |
| PHS 3 | 5.7 | 3 | M 3×0.5 | 12 | 4.5 | 6 | 5.2 | 27 | 21 | 10 | 3 | 5.5 | 5 | 6.5 | 0.2 | 7.938 ($\frac{5}{16}$) | 1 750 | 3 670 |
| PHS 4 | 11.9 | 4 | M 4×0.7 | 14 | 5.3 | 7 | 6.5 | 31 | 24 | 12 | 4 | 8 | 8 | 9.5 | 0.2 | 9.525 ($\frac{3}{8}$) | 2 480 | 4 680 |
| PHS 5 | 16.5 | 5 | M 5×0.8 | 16 | 6 | 8 | 7.7 | 35 | 27 | 14 | 4 | 9 | 9 | 11 | 0.2 | 11.112 ($\frac{7}{16}$) | 3 270 | 5 730 |
| PHS 6 | 25 | 6 | M 6×1 | 18 | 6.75 | 9 | 9 | 39 | 30 | 14 | 5 | 11 | 10 | 13 | 0.2 | 12.700 ($\frac{1}{2}$) | 4 200 | 6 910 |
| PHS 8 | 43 | 8 | M 8×1.25 | 22 | 9 | 12 | 10.4 | 47 | 36 | 17 | 5 | 14 | 12.5 | 16 | 0.2 | 15.875 ($\frac{5}{8}$) | 7 010 | 10 200 |
| PHS 10 | 72 | 10 | M10×1.5 | 26 | 10.5 | 14 | 12.9 | 56 | 43 | 21 | 6.5 | 17 | 15 | 19 | 0.2 | 19.050 ($\frac{3}{4}$) | 9 810 | 13 300 |
| PHS 12 | 107 | 12 | M12×1.75 | 30 | 12 | 16 | 15.4 | 65 | 50 | 24 | 6.5 | 19 | 17.5 | 22 | 0.2 | 22.225 ($\frac{7}{8}$) | 13 100 | 16 900 |
| PHS 14 | 160 | 14 | M14×2 | 34 | 13.5 | 19 | 16.9 | 74 | 57 | 27 | 8 | 22 | 20 | 25 | 0.2 | 25.400 (1) | 16 800 | 20 900 |
| PHS 16 | 210 | 16 | M16×2 | 38 | 15 | 21 | 19.4 | 83 | 64 | 33 | 8 | 22 | 22 | 27 | 0.2 | 28.575 (1 $\frac{1}{8}$) | 21 000 | 25 400 |
| PHS 18 | 295 | 18 | M18×1.5 | 42 | 16.5 | 23 | 21.9 | 92 | 71 | 36 | 10 | 27 | 25 | 31 | 0.2 | 31.750 (1 $\frac{1}{4}$) | 25 700 | 30 200 |
| PHS 20 | 380 | 20 | M20×1.5 | 46 | 18 | 25 | 24.4 | 100 | 77 | 40 | 10 | 30 | 27.5 | 34 | 0.2 | 34.925 (1 $\frac{3}{8}$) | 30 800 | 35 500 |
| PHS 22 | 490 | 22 | M22×1.5 | 50 | 20 | 28 | 25.8 | 109 | 84 | 43 | 12 | 32 | 30 | 37 | 0.2 | 38.100 (1 $\frac{1}{2}$) | 37 400 | 41 700 |
| PHS 25 | 750 | 25 | M24×2 | 60 | 22 | 31 | 29.6 | 124 | 94 | 48 | 12 | 36 | 33.5 | 42 | 0.6 | 42.862 (1 $\frac{7}{16}$) | 46 200 | 72 700 |
| PHS 28 | 950 | 28 | M27×2 | 66 | 25 | 35 | 32.3 | 136 | 103 | 53 | 12 | 41 | 37 | 46 | 0.6 | 47.625 (1 $\frac{7}{8}$) | 58 400 | 87 000 |
| PHS 30 | 1 130 | 30 | M30×2 | 70 | 25 | 37 | 34.8 | 145 | 110 | 56 | 15 | 41 | 40 | 50 | 0.6 | 50.800 (2) | 62 300 | 92 200 |



علی صنعت

طراحی و تنظیم این کاتالوگ صد درصد توسط شرکت علی صنعت انجام شده
و تمامی حقوق برای شرکت علی صنعت محفوظ میباشد

The design and layout of this catalog have been 100% done by
Ali Sanat Company and all rights are reserved for
Ali Sanat Company

021-33112229

09123118117

www.alisanat.com