

# شیر برقی برنجی دو راهه

MODEL : 2W



alisanat.com



copyright © photo by alisanat.com

alisanat.com



copyright © photo by alisanat.com

alisanat.com



copyright © photo by alisanat.com

alisanat.com



copyright © photo by alisanat.com

alisanat.com



copyright © photo by alisanat.com

alisanat.com



copyright © photo by alisanat.com

## Solenoid Valve


### 2W Brass Series 2-Way Direct Acting Solenoid Valve Normally Closed

● The Professional Solenoid Valves Manufactory

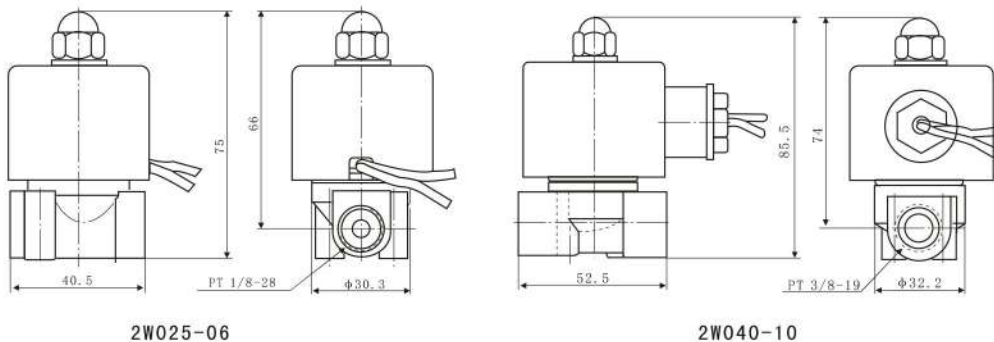
**2W** | **160** | **15** | **AC220V** | **V**  
 2 Way Direct Acting | Orifice | Pipe Size | Available Voltage  
 AC:110V  
 AC:220V  
 DC :24V  
 Contact the Factory for Others  
 Blank:NBR  
 V:For High Temp.



### Specifications

Model code	2W025-06	2W025-08	2W040-10	2W160-10	2W160-15	2W200-20	2W250-25	2W350-35	2W400-40	2W500-50
Symbol										
Fluid Media	Air, Water, Oil, Gas									
Operating Mode	Direct Acting									
Type	Normally Closed									
Orifice	2.5	4	16	20	25	35	40	50		
Cv Factor	0.23	0.6	4.8	7.6	12	24	29	48		
Pipe Size	1/8"	1/4"	3/8"	3/8"	1/2"	3/4"	1"	1 1/4"	1 1/2"	2"
Viscosity	Under 20CTS									
Operating Pressure	Water:0~7 Air:0~7 Oil:0~5									
Fluids Temp.	-5~80°C									
Available Voltage	± 10%									
Body Material	Brass									
Seals Material	NBR or VITON									

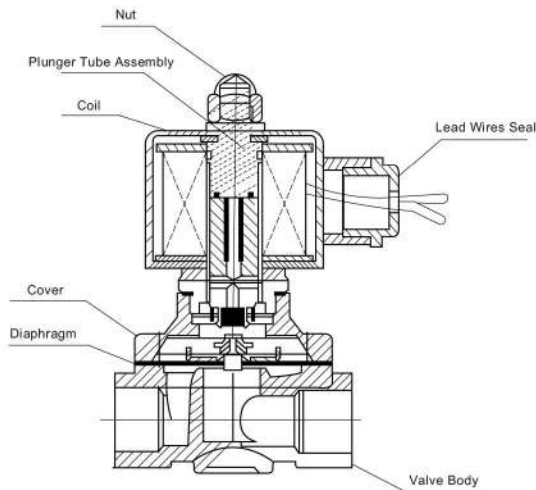
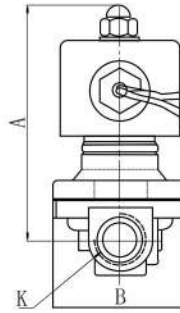
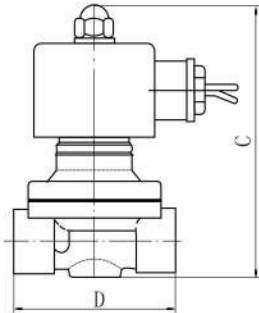
### Construction Dimensions Chart



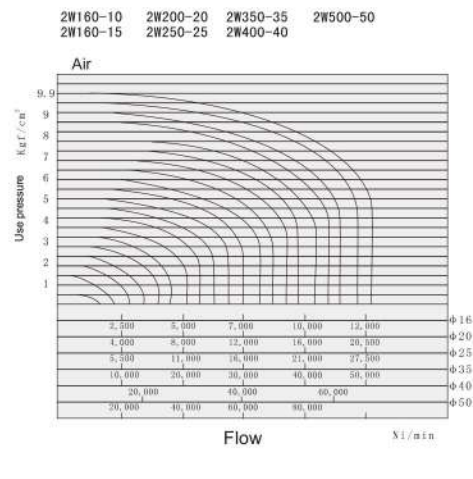
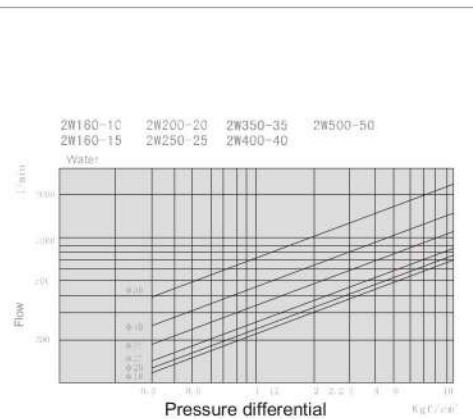
## 2W Brass Series 2-Way Direct Acting Solenoid Valve Normally Closed

● The Professional Solenoid Valves Manufactory

### Construction Dimensions Chart



### Fluid Flow Chart



### Technical Parameter

Model code	A	B	C	D	K
2W160-10	101.5	57	117	69	PT 3/8"
2W160-15	101.5	57	117	69	PT 1/2"
2W260-20	107	57	123.5	73	PT 3/4"
2W260-25	111.5	73.5	134.5	99	PT 1"
2W360-35	142	95	172	112	PT1 1/4"
2W460-40	142	95	172	123	PT1 1/2"
2W560-50	172	123	209	168	PT2"

## Solenoid Valve

### 2W Stainless Steel Series 2-Way Direct Acting Solenoid Valve Normally Closed


● The Professional Solenoid Valves Manufactory

#### Technical Parameter

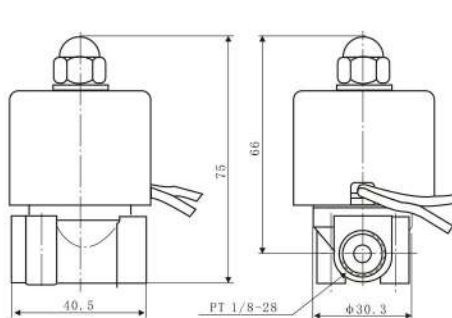
Model code	L	H	Pipe Size
2W025-06B	40.5	75	PT 1/8"
2W025-08B	40.5	75	PT 1/4"
2W040-10B	52.5	85.5	PT 3/8"
2W160-10B	69	117	PT 3/8"
2W160-15B	69	117	PT 1/2"
2W200-20B	73	123.5	PT 3/4"
2W250-25B	99	134.5	PT 1"
2W350-35B	112	172	PT 1 1/4"
2W400-40B	123	172	PT 1 1/2"
2W500-50B	168	209	PT 2"
2W250-25FB	135	160	Flange Connection 4 Holes
2W350-35FB	152	212	Flange Connection 4 Holes
2W400-40FB	152	215	Flange Connection 4 Holes
2W500-50FB	200	252	Flange Connection 4 Holes



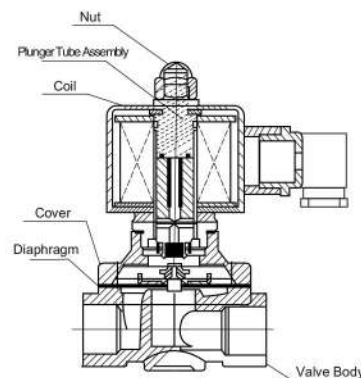
#### Specifications

Model code	2W025-06B	2W025-08B	2W040-10B	2W160-10B	2W160-15B	2W200-20B	2W250-25B	2W350-35B	2W400-40B	2W500-50B
Symbol										
Fluid Media	Air, Water, Oil, Gas									
Operating Mode	Direct Acting									
Type	Normally Closed									
Orifice	2.5	4	16	20	25	35	40	50		
Cv Factor	0.23	0.6	4.8	7.6	12	24	29	48		
Pipe Size	1/8"	1/4"	3/8"	3/8"	1/2"	3/4"	1"	1 1/4"	1 1/2"	2"
Viscosity	Under 20CTS									
Operating Pressure	Water: 0~7 Air: 0~7 Oil: 0~5									
Fluids Temp.	-5~80°C									
Available Voltage	± 10% AC220V 110V DC24V Contact the factory for Others									
Body Material	S.S.304 (S.S.316 Special Made)									
Seals Material	NBR or VITON									

#### Construction External Dimensions Chart



2W025-06B



## 2W Brass Series 2-Way Direct Acting Solenoid Valve Normally Open

● The Professional Solenoid Valves Manufactory

### Characteristics

Normally open, open when de-energized,  
 Closed when energized  
 Body material: forged brass  
 They are capable of operating at zero differential pressure  
 Available voltage:  
 Voltage tolerance:

### Inapplicable Fluids

Fluids that will turn to liquid after being heated and become solid after being cooled  
 Strong corrosive fluids  
 Fluids that have kinematic viscosity over 50CST

### Attention

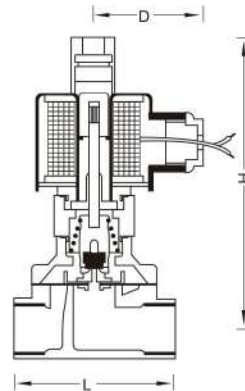
Make sure the pipe is clean before installing  
 Pls fix a Y frame filter in front of the solenoid valve, for longer life-span



### Technical Parameter

Model Code	L	H	Pipe Size
2W025-06H	40.5	110	1/8"
2W025-08H	40.5	110	1/4"
2W040-10H	52.5	115	3/8"
2W160-10H	69	135	3/8"
2W160-15H	69	135	1/2"
2W200-20H	73	142	3/4"
2W250-25H	99	150	1"
2W350-35H	112	186	PT1 1/4"
2W400-40H	123	197	PT1 1/2"
2W500-50H	168	225	PT2"

### Construction Dimensions Chart



### Specifications

Model Code	2W025-06H	2W025-08H	2W040-10H	2W160-10H	2W160-15H	2W200-20H	2W250-25H	2W350-35H	2W400-40H	2W500-50H
Fluid Media	Air, Water, Oil, Gas									
Operating Mode	Direct Acting									
Type	Normally Open									
Orifice	2.5	4	16	20	25	35	40	50		
Cv Rating	0.23	0.6	4.8	7.6	12	24	29	48		
Pipe Size	1/8"	1/4"	3/8"	3/8"	1/2"	3/4"	1"	1 1/4"	1 1/2"	2"
Viscosity	20 CTS以下									
Operating Pressure	Water:0~7 Air:0~7 Oil:0~5									
Fluids Temp.	-5~80℃									
Available Voltage	± 10%									
Body Material	Forged Brass									
Seals Material	NBR or VITON									

## Solenoid Valve

### 2W Stainless Steel Series 2-Way Direct Acting Solenoid Valve Normally Open

● The Professional Solenoid Valves Manufactory

#### Characteristics

Normally open, open when de-energized,  
closed when energized  
Body material: forged brass  
They are capable of operating at zero differential pressure  
Available voltage:  
Voltage tolerance:

#### Inapplicable Fluids

Fluids that will turn to liquid after being heated and  
become solid after being cooled  
Strong corrosive fluids  
Fluids that have kinematic viscosity over 50CST

#### Attention

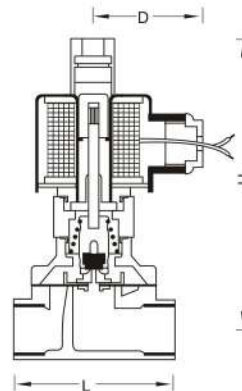
Make sure the pipe is clean before installing  
Pls fix a Y frame filter in front of the solenoid valve,  
for longer life-span



#### Technical Parameter

Model Code	L mm	H mm	Pipe Size
2W025-06BH	40.5	110	1/8"
2W025-08BH	40.5	110	1/4"
2W040-10BH	52.5	115	3/8"
2W160-10BH	69	135	3/8"
2W160-15BH	69	135	1/2"
2W200-20BH	73	142	3/4"
2W250-25BH	99	150	1"
2W350-35BH	112	186	PT1 1/4"
2W400-40BH	123	197	PT1 1/2"
2W500-50BH	168	225	PT2"
2W250-25FBH	135	160	Flange Connection 4 Holes
2W350-35FBH	152	230	Flange Connection 4 Holes
2W400-40FBH	152	240	Flange Connection 4 Holes
2W500-50FBH	200	270	Flange Connection 4 Holes

#### Construction Dimensions Chart



#### Specifications

Model Code	2W025-06BH	2W025-08BH	2W040-10BH	2W160-10BH	2W160-15BH	2W200-20BH	2W250-25BH	2W350-35BH	2W400-40BH	2W500-50BH
Fluid Media	Air, Water, Oil, Gas									
Operating Mode	Direct Acting									
Type	Normally Open									
Orifice	2.5	4	16	20	25	35	40	50		
Cv Rating	0.23	0.6	4.8	7.6	12	24	29	48		
Pipe Size	1/8"	1/4"	3/8"	3/8"	1/2"	3/4"	1"	1 1/4"	1 1/2"	2"
Viscosity	Under 20CTS									
Operating Pressure	Water:0~7 Air:0~7Oil:0~5									
Fluids Temp.	-5~80°C									
Available Voltage	± 10%									
Body Material	S.S.304									
Seals Material	NBR or VITON									



# علی صنعت

طراحی و تنظیم این کاتالوگ صد درصد توسط شرکت علی صنعت انجام شده  
و تمامی حقوق برای شرکت علی صنعت محفوظ میباشد

The design and layout of this catalog have been 100% done by  
Ali Sanat Company and all rights are reserved for  
Ali Sanat Company

021-33112229

09123118117

[www.alisanat.com](http://www.alisanat.com)