

شیر ربع گرد سه راهه هیدرولیک

MODEL : BVH3



alisanat.com



copyright © photo by alisanat.com

alisanat.com



copyright © photo by alisanat.com

alisanat.com



copyright © photo by alisanat.com

alisanat.com



copyright © photo by alisanat.com

alisanat.com



copyright © photo by alisanat.com

alisanat.com



copyright © photo by alisanat.com



BVH3 Series

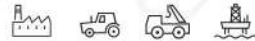
BVH3 Series 3-Way Ball Valve With Threaded Connection(Carbon Steel)



Three-way high-pressure ball valves



Application



- Construction
- Mobile Hydraulics
- Test Equipment
- Machine Tools
- General Hydraulics
- Agricultural

Working Temperature

Operating temperatures (With NBR seals): -40°C (-40°F) to 120°C (248°F)

Specifications

Body Size(DN)	04	06	08	10	13	16	20	25	32	40	50
Max. WP (BAR)	500	500	500	500	500	500	500	500	380	380	380
Max. WP (PSI)	7250	7250	7250	7250	7250	7250	7250	7250	5511	5511	5511
BP (BAR)	2000	2000	2000	2000	2000	2000	2000	2000	1400	1400	1400
BP (PSI)	29000	29000	29000	29000	29000	29000	29000	29000	20300	20300	20300
Rated Flow(LPM)	3	12	---	23	45	---	100	189	250	379	757
Rated Flow(GPM)	0.8	3.2	---	6.1	12	---	26.4	50	66	100	200
Temperature Range	-40°C to +120°C										

Material Description

Body	Carbon Steel
Ball	1/4"-1" is SS201 1 1/4"-2" is Carbon Steel
Stem	Carbon Steel
Ball Seats	POM
O-rings	NBR
Tmin/Tmax	-40°C to +120°C

Features:

- Available in 'L' port (standard) and 'T' port (optional)
- One piece body design provides additional strength
- Full bore valves provide unrestricted flow path for negligible pressure drop
- 90° operation
- Offset handle allows clearance for easy operation

Introduction

Kaiser's BVH3 Series three-way high-pressure ball valves are designed to suit a wide range of applications. These valves should not be used as flow control valves and should therefore always be fully open or closed.

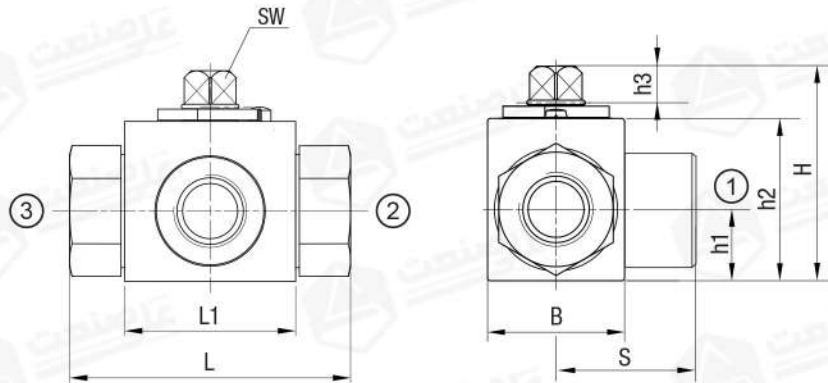
Construction

- Carbon steel body with trivalent plating
- Handle Type:
Zinc alloy bent levers for 1/4" to 1"
and steel bent levers for 1-1/4" to 2"
- Forged steel option available
- Fitted with NBR and POM seals as standard
- Also available in AISI 316 stainless steel

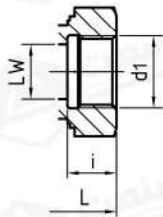
Accessories

Valve locking kits and valve handles are available for the BVH3 Series

BVH3 Series 3-Way Ball Valve With Threaded Connection(Carbon Steel)

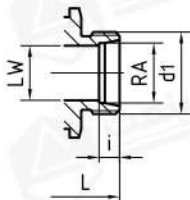


ISO 228 Female Thread



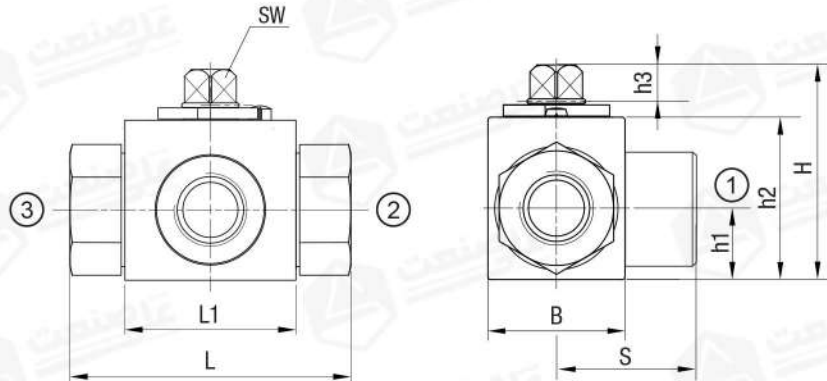
Part number	DN	PN	LW	d1	i	L	L1	B	H	h1	h2	h3	SW	S
BVH3-G1/8-CS	4	500	6	G1/8	10	69	37	28	44.5	13	32	8	9	35
BVH3-G1/4-CS	6	500	6	G1/4	14	69	37	28	44.5	13	32	8	9	35
BVH3-G3/8-CS	10	500	10	G3/8	14	72	42	32	52.5	17	40	8	9	36
BVH3-G1/2-13CS	13	500	13	G1/2	16	83	48	35	52.5	17	40	8	9	40
BVH3-G1/2-16CS	16	500	15	G1/2	16	83	47	38	63.5	19	46	11	12	42
BVH3-G3/4-CS	20	500	20	G3/4	18	95	60	48	75	24	57	12	14	49
BVH3-G1-CS	25	500	25	G1	20.5	113	65	57	82	28.5	64	12	14	56.5
BVH3-G1 1/4-CS	32	380	30	G1 1/4	22	110	84	75	104.5	37.5	84	14	17	55
BVH3-G1 1/2-CS	40	380	38	G1 1/2	24	130	91	85	115.5	42.5	95	14	17	65
BVH3-G2-CS	50	380	48	G2	26	140	100	105	133	52.5	112.5	14	17	70

DIN 2353/ ISO 8434-1
Light Series



Part number	DN	PN	LW	RA	d1	i	L	L1	B	H	h1	h2	h3	SW1	S
BVH3-06L-CS	4	500	4	6	M12x1.5	10	67	37	28	44.5	13	32	8	9	34.5
BVH3-08L-CS	6	500	6	8	M14x1.5	10	67	37	28	44.5	13	32	8	9	34.5
BVH3-10L-CS	8	500	8	10	M16x1.5	11	74	42	32	52.5	17	40	8	9	37
BVH3-12L-CS	10	500	10	12	M18x1.5	11	74	42	32	52.5	17	40	8	9	37
BVH3-15L-13CS	13	500	13	15	M22x1.5	12	82	48	35	52.5	17	40	8	9	40
BVH3-15L-16CS	16	500	13	15	M22x1.5	12	82	47	38	63.5	19	46	11	12	40
BVH3-18L-13CS	13	500	13	18	M26x1.5	12	82	48	35	52.5	17	40	8	9	42
BVH3-18L-16CS	16	500	15	18	M26x1.5	12	82	47	38	63.5	19	46	11	12	42
BVH3-22L-CS	20	500	19	22	M30x2	14	101	60	48	75	24	57	12	14	52
BVH3-28L-CS	25	500	25	28	M36x2	14	108	65	57	82	28.5	64	12	14	54
BVH3-35L-CS	32	380	30	35	M45x2	16	141	84	75	104.5	37.5	84	14	17	70.4
BVH3-42L-CS	40	380	37	42	M52x2	16	162	91	85	115.2	42.5	95	14	17	81

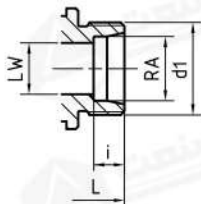
BVH3 Series 3-Way Ball Valve With Threaded Connection(Carbon Steel)



Porting Pattern

L Type		T Type		T 180 Type		
0°	90°reversing	0°	90°reversing	0°	90°	180°

DIN 2353/ ISO 8434-1
 Heavy Series



Part number	DN	PN	LW	RA	d1	i	L	L1	B	H	h1	h2	h3	SW1	S
BVH3-08S-CS	4	500	5	8	M16x1.5	12	73	37	28	44.5	13	32	8	9	37
BVH3-10S-CS	6	500	6	10	M18x1.5	12	73	37	28	44.5	13	32	8	9	37
BVH3-12S-CS	8	500	8	12	M20x1.5	12	76	42	32	52.5	17	40	8	9	38
BVH3-14S-CS	10	500	10	14	M22x1.5	14	80	42	32	52.5	17	40	8	9	40
BVH3-16S-13CS	13	500	13	16	M24x1.5	14	86	48	35	52.5	17	40	8	9	43.5
BVH3-16S-16CS	16	500	13	16	M24x1.5	14	86	47	38	63.5	19	46	11	12	43.5
BVH3-20S-13CS	13	500	13	20	M30x2	16	90	48	35	52.5	17	40	8	9	45.5
BVH3-20S-16CS	16	500	15	20	M30x2	16	90	47	38	63.5	19	46	11	12	45.5
BVH3-25S-CS	20	500	20	25	M36x2	18	109	60	48	75	24	57	12	14	56
BVH3-30S-CS	25	500	25	30	M42x2	20	120	65	57	82	28.5	64	12	14	60
BVH3-38S-CS	32	380	30	38	M52x2	22	153	84	75	104.5	37.5	84	14	17	76.5



علی صنعت

طراحی و تنظیم این کاتالوگ صد درصد توسط شرکت علی صنعت انجام شده
و تمامی حقوق برای شرکت علی صنعت محفوظ میباشد

The design and layout of this catalog have been 100% done by
Ali Sanat Company and all rights are reserved for
Ali Sanat Company

021-33112229

09123118117

www.alisanat.com