

لول سوئیچ الاکلنگی

MODEL : MR-L10



alisanat.com



copyright © photo by alisanat.com

alisanat.com



copyright © photo by alisanat.com

alisanat.com



copyright © photo by alisanat.com

alisanat.com



copyright © photo by alisanat.com

alisanat.com



copyright © photo by alisanat.com

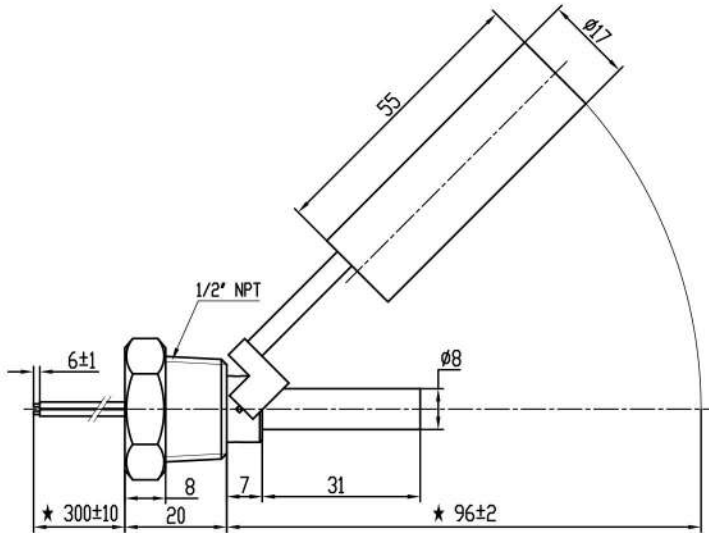
alisanat.com



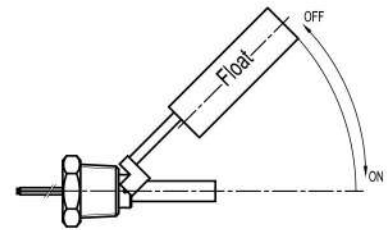
copyright © photo by alisanat.com

specification

| | | | | | |
|----------|--|------|----------------------------------|------|--------------|
| Customer | | Name | Side mounted liquid level switch | Type | MR-L10-SS-2A |
|----------|--|------|----------------------------------|------|--------------|



Movement explanation



Movement explanation:

- 1、 when the float is in $10 \pm 5^\circ$, the reed switch will be closed.
- 2、 when the float is in $40 \pm 5^\circ$, the reed switch will be open.

| BOM | | | | Reed switch Electrical Specification | | Product features | | |
|-----|---------------|----------------------------|------------|--------------------------------------|-------------------------------------|------------------|---------------------------------------|------------------|
| No | Part name | Specification | Material | Quantity | 1.Contact form | A(NO.) | 1.Float pressure[MPa] | 0.7 |
| 1 | Float | $\varnothing 17 \times 55$ | SUS304 | 1PC | 2.Contact rating[W] | 50 | 2.Applicable temperature[] | $-10 \sim +85$ C |
| 2 | Float ball | L10 | SUS304 | 1PC | 3.Max switching voltage[V] | DC350/AC300 | 3.Withstand voltage | 1000V/10S |
| 3 | Cap nut | — | — | — | 4.Breakdown voltage[V] | 600VDC | 4.Terminal tensile strength[Kg] | ???? |
| 4 | O-ring | — | — | — | 5.Max switching current[A] | DC0.7/AC0.5 | 5.The contact resistance[m Ω] | ???? |
| 5 | E-ring | — | — | — | 6.Max carry current[A] | 2.5 | 6.Insulation resistance[M Ω] | 100min |
| 6 | Wire | UL1015 22# black | PVC | 300mm | 7.Contact resistance[m Ω] | 100max | | |
| 7 | Filling | 5321A Black+5323B | Epoxy glue | — | 8.Insulation resistance[Ω] | 10^{10} min | | |
| 8 | Terminal | — | — | — | 9.Get an electric shock life | 10^7 | | |
| 9 | Housing | — | — | — | | | | |
| 10 | Reed switch | — | Imported | 1PC | designed by | Checked by | Drawing by | Drawing Date |
| 11 | Circuit board | ZYB | FR-4 | 1PC | | | | |
| | | | | | | Scale | Sheet | Edition |
| | | | | | | 1:1 | 1 | A |



علی صنعت

طراحی و تنظیم این کاتالوگ صد درصد توسط شرکت علی صنعت انجام شده
و تمامی حقوق برای شرکت علی صنعت محفوظ میباشد

The design and layout of this catalog have been 100% done by
Ali Sanat Company and all rights are reserved for
Ali Sanat Company

021-33112229

09123118117

www.alisanat.com