

پرشر سوئیچ المنٹ

MODEL : ELT 36



alisanat.com



copyright © photo by alisanat.com

alisanat.com



copyright © photo by alisanat.com

alisanat.com



copyright © photo by alisanat.com

alisanat.com



copyright © photo by alisanat.com

alisanat.com



copyright © photo by alisanat.com

alisanat.com



copyright © photo by alisanat.com

ELT PRESSURE SWITCH

FEATURES

The ELT pressure switch is intended for managing pressure on usual fluid installations. It is perfectly suitable for operating on pumps, compressors, tanks, etc.

The trip pressure and the differential are adjustable by screw and can be viewed on a graduated scale. The compact construction of the ELT pressure switch makes it easy to install inside machines. IP40 code for operating indoors or outdoors under a shelter.



IP
40

ISO
9001



AVAILABLE MODELS

Fluid connection.

ELT 35 - ELT 36: Female G 1/4" brass.

ELT 37 - ELT 38: Male G 1/4" brass.

LIMITS OF USE

Fluid	Compatible usual fluids except propane			
Electrical protection	IP 40			
Fluid WP:	ELT 35	ELT 36	ELT 37	ELT 38
	9 bar	18 bar	29 bar	52 bar
Fluid WT°:	-10° / +120°C			
Ambient WT°:	-35°C / +60°C			

DIRECTIVES AND MANUFACTURING STANDARDS

Compliant with the EN 60947-1-5 standards.

CONSTRUCTION

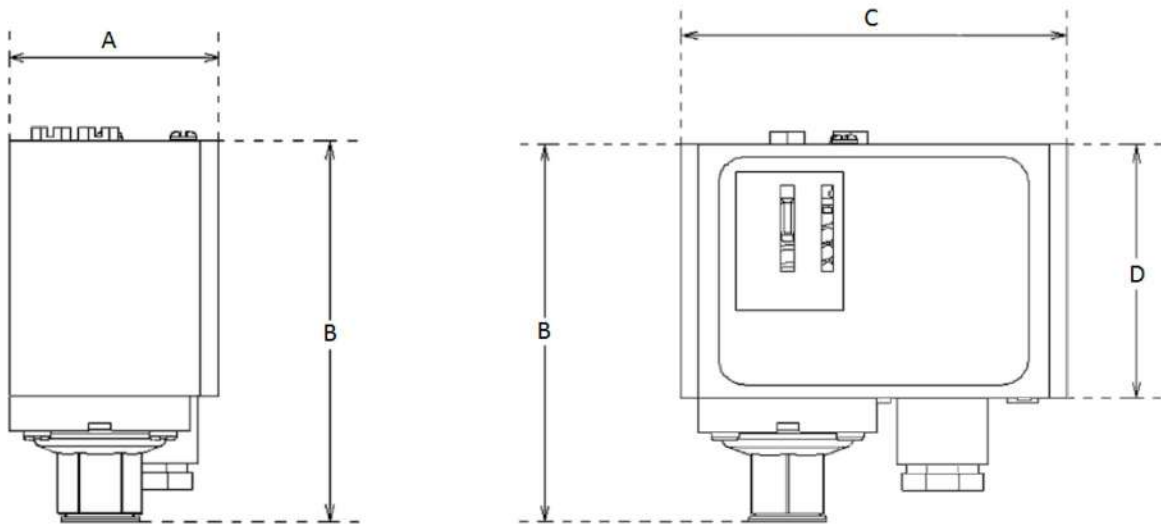
Name	Material
Cover	Polyamide thermoplastic
Diaphragm	Chromium / Stainless steel
Input cable	PVC

Information given as an indication only, and subject to possible modifications

ELT PRESSURE SWITCH

DIMENSIONS (mm) AND WEIGHT (kg)

Type	Connection	A	B	C	D	Weight (kg)
ELT-35	Female G 1/4"	48	97	88.70	59	0.395
ELT-36	Female G 1/4"	48	97	88.70	59	0.395
ELT-37	Male G 1/4"	48	97	88.70	59	0.455
ELT-38	Male G 1/4"	48	97	88.70	59	0.455



FEATURES

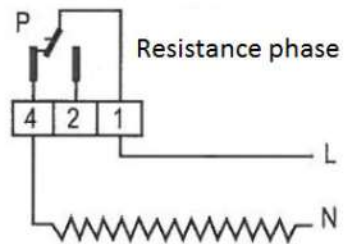
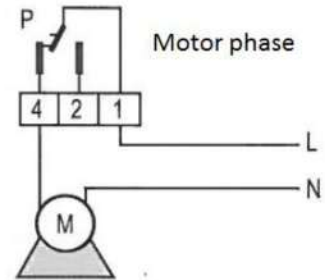
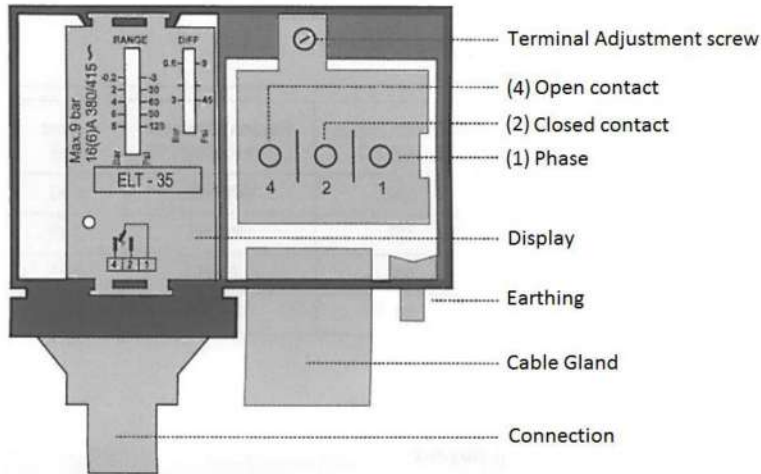
Type	DN	Setting range (bar)	Differential (bar)	Max pressure (bar)
ELT-35	Female G 1/4"	(-0.2) - 8	0.6 - 3	9
ELT-36	Female G 1/4"	5 - 16	1 - 3.5	18
ELT-37	Male G 1/4"	5 - 28	2 - 10	29
ELT-38	Male G 1/4"	5 - 50	2 - 15	52

Information given as an indication only, and subject to possible modifications

ELT PRESSURE SWITCH

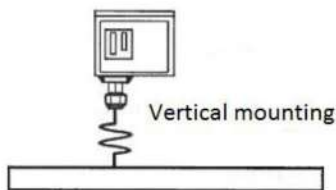
ELECTRICAL FEATURES

Type of switch	SPDT
Cut-off voltage	0.2 A to 230V AC



INSTALLATION

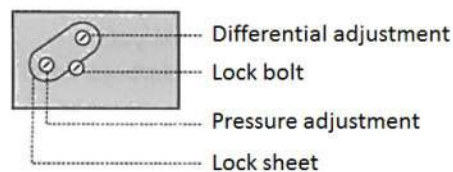
- The ELT pressure switch has to be installed by qualified personnel.
- Install the pressure switch vertically only. (See diagram above)
- Make sure that the pressure switch is protected from liquid splashing.
- Tighten the fitting with a spanner, not manually. (See diagram below)
- Carry out the electrical connections as shown. (See diagram above)
- Use a copper spiral connecting tube for high pressures. (Minimum 4 Bar)
- Connect the pressure switch to the ground. (See diagram above)



- For setting:

- Loosen the tightening screw.
- Remove the locking plate and adjust the pressure (Screw), and the differential (Screw).
- Put back the locking plate.

Adjustment bolts



SERVICING

The ELT pressure switch does not require any periodic servicing.

Information given as an indication only, and subject to possible modifications



علی صنعت

طراحی و تنظیم این کاتالوگ صد درصد توسط شرکت علی صنعت انجام شده
و تمامی حقوق برای شرکت علی صنعت محفوظ میباشد

The design and layout of this catalog have been 100% done by
Ali Sanat Company and all rights are reserved for
Ali Sanat Company

021-33112229

09123118117

www.alisanat.com