

بویین شیر برقی شم

MODEL : B4



alisanat.com



copyright © photo by alisanat.com

alisanat.com



copyright © photo by alisanat.com

alisanat.com



copyright © photo by alisanat.com

alisanat.com



copyright © photo by alisanat.com

alisanat.com



copyright © photo by alisanat.com



FEATURES

The coils for CEME solenoid valves are designed and made according to the European directive and the internal standards to work on a permanent service life, and to satisfy diverse applications for a long operation.



AVAILABLE MODELS

B4 - B6 - B12 - B60
Connector DIN 43650

LIMITS OF USE

Electric protection	IP 65	
Frequency	50 Hz / 60 Hz	
Electric tolerances	AC	DC
	-15 % / +6 %	-5 % / +10 %
Insulation class	Class H	
	180° C	
Service life	Average 5000 Hours	

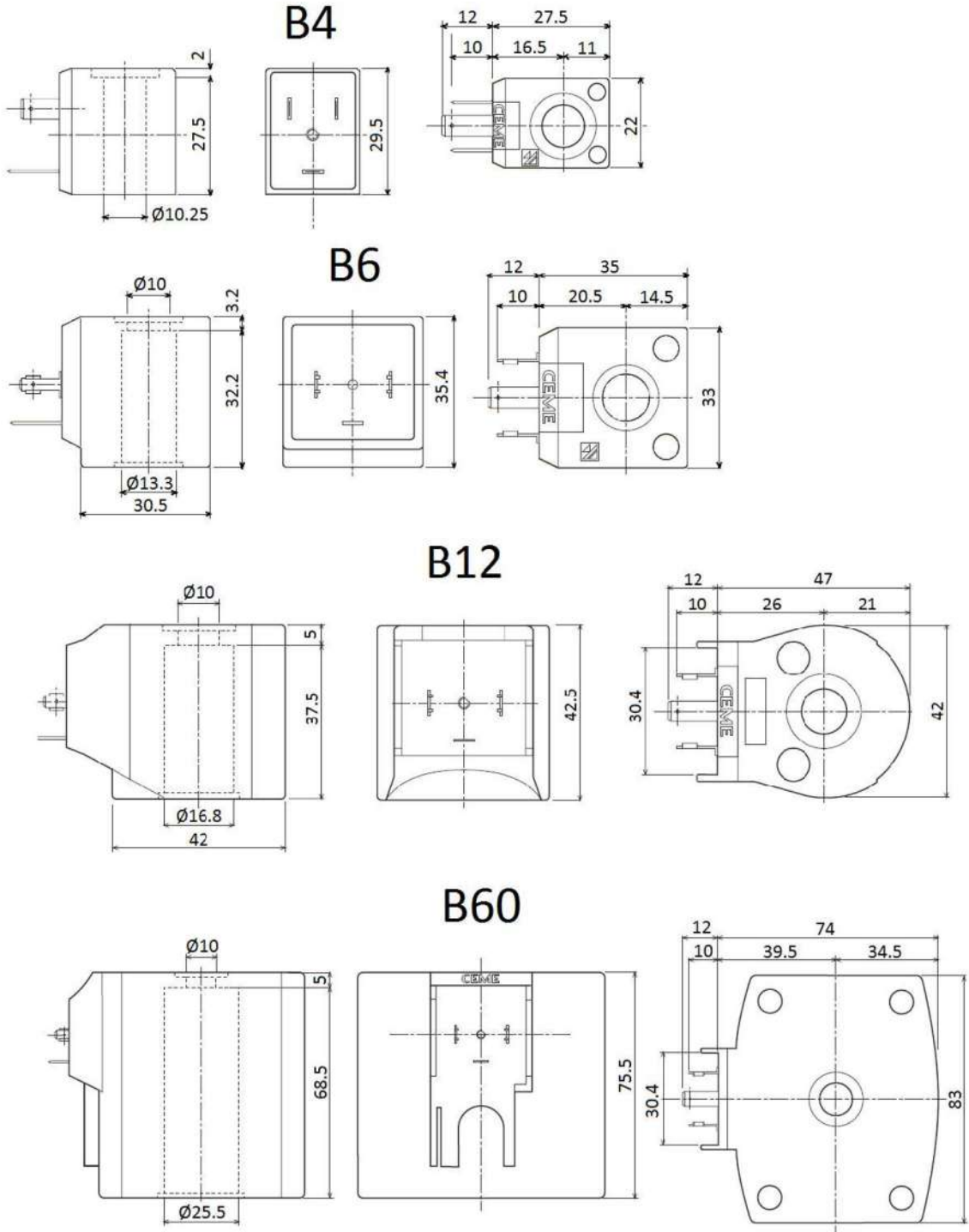


ELECTRIC CHARACTERISTICS

Coil	Current	Available voltages (V)						Frequency		Power consumption	
		24		48		110		230		50 Hz	60 Hz
B 4	AC Coil	24		230				50 Hz	60 Hz	11 VA	14,5 VA
	DC Coil	24								9 W	
Coil classified H. Duty 100%. Connecting by connector T22											
B 6	AC Coil	12	24	48	110	230	400	50 Hz	60 Hz	11 VA	24 VA
	DC Coil	12	24	48	110					16 W	
Coil classified H. Duty 100%. Connecting by connector T30											
B12	AC Coil	12	24	48	110	230	380	50 Hz	60 Hz	18 VA	47 VA
	DC Coil	12	24		110					21 W	
Coil classified H. Duty 100%. Connecting by connector T30											
B60	AC Coil		24	48	110	230	380	50 Hz	60 Hz	140 VA	430 VA
	DC Coil	12	24							43 W	
Coil classified H. Duty 100%. Connecting by connector T30											


DIMENSIONS (mm) AND WEIGHT (kg)

Coil	B4	B6	B12	B60
Weight (kg)	0,05	0,12	0,25	1,35
Material	PBT + 30 % GF			





MOUNTING

Mounting on all the CEME series solenoid valves.

ATTENTION : Installation in every position except horizontal pipe with coil towards the bottom.

INSTALLATION

Before connecting the coil on the solenoid valve, Verify that the conditions of service and frequencies correlate with the data of the solenoid valve.

Connect correctly the earthing of the solenoid valve.

Position the coil in the right direction on the axis of the solenoid valve. Then tighten the nut.

It is possible to make turn the coil on the axis of the solenoid valve to have the wanted orientation by loosening the nut and then by blocking the nut as soon as the wished position is obtained.

Nota : A torque of tightening of 3Nm maxi is recommended for the coil B4, and a torque of tightening of 4Nm maxi for coils B6-B12 and B60.

SECTORIEL REFERENCES

B4 coils type							Connector
Voltage	230V 50Hz	24V 50Hz	24V cc				T22
Code	980300	980301	980302				980232
B6 coils type							Connector
Voltage	230V 50Hz	24V 50Hz	48V 50Hz	110V 50Hz	12V cc	24V cc	T30
Code	980310	980311	980313	980314	980315	980316	
Voltage	230V 60Hz	24V 60Hz	48V cc	110V cc	12V 50 Hz	380V 50Hz	980696
Code	980320	980321	980317	980318	980312	980319	
B12 coils type							Connector
Voltage	230V 50Hz	24V 50Hz	48V 50Hz	110V 50Hz	12V cc	24V cc	T30
Code	980410	980411	980413	980414	980415	980416	
Voltage	230V 60Hz	24V 60Hz	380V 50Hz	110V cc	12V 50 Hz		980696
Code	980420	980421	980419	9803417	980412		
B60 coils type							Connector
Voltage	230V 50Hz	24V 50Hz	48V 50Hz	110V 50Hz	12V cc	24V cc	T30
Code	980510	980511	980513	980514	980515	980516	
Voltage	380V 50Hz						980696
Code	980519						



علی صنعت

طراحی و تنظیم این کاتالوگ صد درصد توسط شرکت علی صنعت انجام شده
و تمامی حقوق برای شرکت علی صنعت محفوظ می باشد

The design and layout of this catalog have been 100% done by
Ali Sanat Company and all rights are reserved for
Ali Sanat Company

021-33112229

09123118117

www.alisanat.com