

بویین شیر برقی لوسیفر

MODEL : 481000



alisanat.com



copyright © photo by alisanat.com

alisanat.com



copyright © photo by alisanat.com

alisanat.com



copyright © photo by alisanat.com

alisanat.com



copyright © photo by alisanat.com

alisanat.com



copyright © photo by alisanat.com

alisanat.com



copyright © photo by alisanat.com

COILS

COIL GROUP

2.0/2.1

COILS WITH SCREW TERMINALS



STANDARD COILS 40 mm

These coils can be mounted with every Parker Solenoid Valves corresponding to the specified Coil Group.
See column "Coil Group" within valve pages.

They can be mounted with all metal housings.

The coil winding is completely encapsulated in synthetic material.

Easy mounting in confined spaces. Electrical connection with screw terminals for wire up to 1.5 mm².

Coils conform to the IEC/CENELEC safety standards and complies with European low-voltage directive.

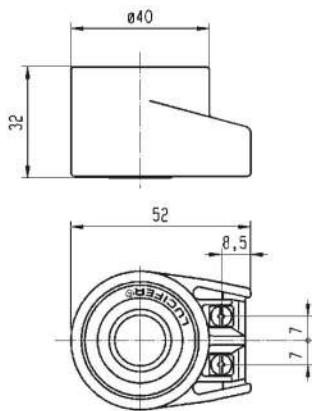


Specification	Standard			Double Frequency		
Reference	481000			483520		
Coil Group	2.0 / 2.1					
Class of insulation	F 155°C					
Ambient temperature	-40°C to +50°C The application is limited also by the temperature range of the valve..					
Elect. Power	DC	Pn (hot)	8W	-		
		P (cold) 20°C	9W	-		
	AC	Pn (holding)	8W	9W		
		Attraction cold	32 VA (9 W)	36 VA (10 W)		
Weight	130 g			130 g		
Voltages "Un"	VAC/Hz	Code	VDC	Code	VAC/Hz	Code
-10% to +10% of the Un	24/50	A2	24	C2	24/50-60	P0
	48/50	A4	48	C4	48/50-60	S4
(-15 % to +5 % for double-frequency coil with voltage code S6 if 240 V/50/Hz is used).	110/50-115/50	0A	110	C5	110-115/50-120/60	S5
	220/50-230/50	3D			220-240/50-240/60	S6

To Order a Coil choose Coil Ref + Voltage Code, example: 481000 for 24VDC = 481000C2

More voltage possibilities can be found in the table of voltage codes at the end of the coil section.

These coils must be used with suitable housings, see examples below:



Ref. 4270 - Protection IP 44



Ref. 4538 - Protection IP 67



علی صنعت

طراحی و تنظیم این کاتالوگ صد درصد توسط شرکت علی صنعت انجام شده
و تمامی حقوق برای شرکت علی صنعت محفوظ میباشد

The design and layout of this catalog have been 100% done by
Ali Sanat Company and all rights are reserved for
Ali Sanat Company

021-33112229

09123118117

www.alisanat.com