

# بویین شیر برقی ODE

MODEL : BDA



alisanat.com



copyright © photo by alisanat.com

alisanat.com



copyright © photo by alisanat.com

alisanat.com



copyright © photo by alisanat.com

alisanat.com



copyright © photo by alisanat.com

alisanat.com



copyright © photo by alisanat.com

alisanat.com



copyright © photo by alisanat.com

## BDA-BDV-BSA-BVA



**BDA** Coil housing material: PA - Black polyamide - class F (155°C)  
**BDV** Housing material: PET - Black polyethylene - class H (180°C)  
 Winding: In class H  
 Electrical connections: With connector EN 175301-803 paragraph 5.3.1  
 Protection degree IP 65 EN 60529 (DIN 40050)

NOMINAL VOLTAGES TOLERANCES: DC +10% -5%; AC +10% -15%

**BSA** With cm 100 cable PA - Black Polyamide - class F (155°C)  
**BVA** With cm 50 cable  
 Winding: In class H  
 Electrical connections: Cables

NOMINAL VOLTAGES TOLERANCES: DC +10% -5%; AC +10% -15%



CODE	POWER [VA]		VOLTAGE [V]	FREQUENCY [Hz]	ED [%]	AMBIENT TEMPERATURE	APPROVALS	DRAWING REFERENCE
	Inrush	Holding						
<b>AC Coils</b>								
BDA08012AS	14,5	25	12 ~	50	100	-10°C +40°C	CE	1
BDA08024DS	14,5	25	24 ~	50/60	100	-10°C +40°C	CE	1
BDA08110DS	14,5	25	110 ~	50/60	100	-10°C +40°C	CE	1
BDA08223DS	14,5	25	220/230 ~	50/60	100	-10°C +40°C	CE	1
BDA08380DS	14,5	25	380 ~	50/60	100	-10°C +40°C	CE	1
BDV08024DY	17	25	24 ~	50/60	100	-20°C +60°C	CE - UL - CSA - VDE	1
BDV08110AY	15	25	110 ~ 120 ~	50 60	100	-20°C +60°C	CE - UL - CSA - VDE	1
BDV08230AY	16	25	230 ~ 240 ~	50 60	100	-20°C +40°C	CE - UL - CSA - VDE	1
BSA08223DS	14,5	25	220/230 ~	50/60	100	-10°C +40°C	CE	2
BVA08223DS	14,5	25	220/230 ~	50/60	100	-10°C +40°C	CE	2

CODE	POWER [W]	VOLTAGE [V]	ED [%]	AMBIENT TEMPERATURE	APPROVALS	DRAWING REFERENCE
<b>DC Coils</b>						
BDA08012CS	8	12 ~	100	-10°C +40°C	CE	1
BDA08024CS	8	24 ~	100	-10°C +40°C	CE	1
BDV08024CY	11	24 ~	100	-20°C +60°C	CE - UL - CSA - VDE	1

CODE	POWER [W]	VOLTAGE [V]	ED [%]	AMBIENT TEMPERATURE	APPROVALS	DRAWING REFERENCE
<b>Latching Coils</b>						
BDA1X004LS	1,5	4,5 ~	-	-10°C +40°C	-	3
BDA2X006LS	2,5	6 ~	-	-10°C +40°C	-	3
BDA05009LS	5	9 ~	-	-10°C +40°C	-	3
BDA1X006LS	1,5	6 ~	-	-10°C +40°C	-	3
BDA2X009LS	2,5	9 ~	-	-10°C +40°C	-	3
BDA05012LS	5	12 ~	-	-10°C +40°C	-	3
BDA1Z009LS	1,5	9 ~	-	-10°C +40°C	-	3
BDA2X012LS	2,5	12 ~	-	-10°C +40°C	-	3
BDA10024LS	10	14 ~	-	-10°C +40°C	-	3
BDA1X012LS	1,5	12 ~	-	-10°C +40°C	-	3
BDA05024LS	5	24 ~	-	-10°C +40°C	-	3
BDV08012CY	11	12 ~	100	-20°C +60°C	CE - UL - CSA - VDE	1

**Latching coils**
**BDA** Coil housing material: Black polyamide - class F (155°C)

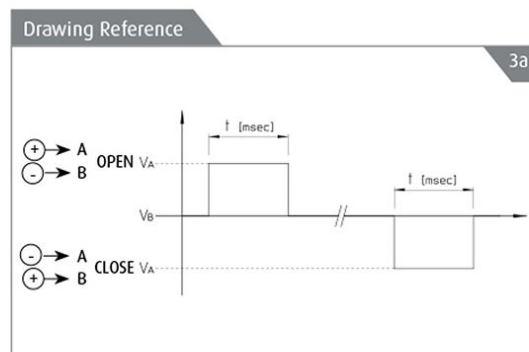
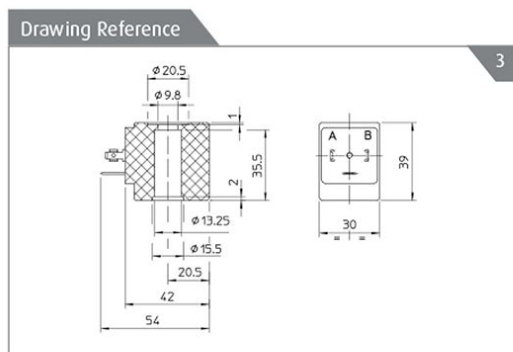
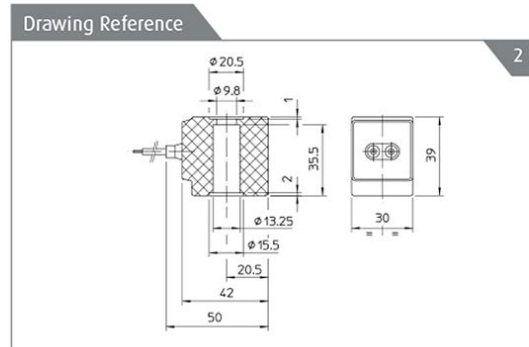
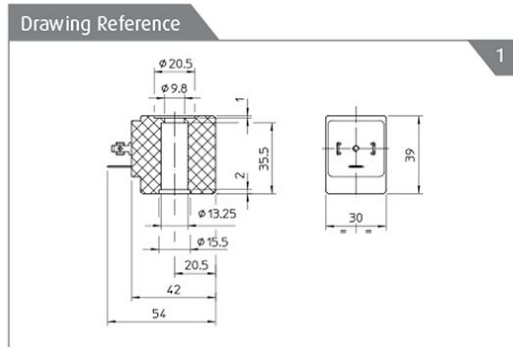
Winding: In class H

 Electrical connections: With connector EN 175301-803 paragraph 5.3.1  
 Protection degree IP 65 EN 60529 (DIN 40050)

**NOMINAL VOLTAGES TOLERANCES:** DC +10% -5%

**TECHNICAL OPERATING DATA:**

- Impulse feed from 4,5 to 24 Volts for a period lasting from 20 to 100 ms (see fig.3a).

**NOTE:** To ensure correct operation the fluid should be filtered to eliminate all traces of impurity subject to magnetic attraction, which would inevitably deposit on the cores of the solenoid valve, which are always magnetized, causing the formation of oxide as well as contact problem.




# علی صنعت

طراحی و تنظیم این کاتالوگ صد درصد توسط شرکت علی صنعت انجام شده  
و تمامی حقوق برای شرکت علی صنعت محفوظ میباشد

The design and layout of this catalog have been 100% done by  
Ali Sanat Company and all rights are reserved for  
Ali Sanat Company

021-33112229

09123118117

[www.alisanat.com](http://www.alisanat.com)