

لول سوئیچ الاکلنگی پلاستیکی

MODEL : L8-PP



alisanat.com



copyright © photo by alisanat.com

alisanat.com



copyright © photo by alisanat.com

alisanat.com



copyright © photo by alisanat.com

alisanat.com

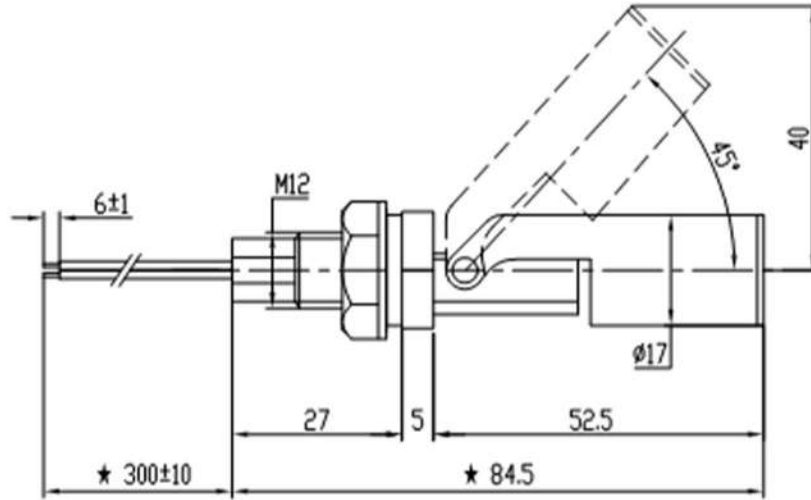


copyright © photo by alisanat.com

alisanat.com



copyright © photo by alisanat.com


Specifications:

item	technical parameters	
Max contact power	10W	50W
Max switch voltage	100VDC/100VAC	350VDC/300VAC
Min break down voltage	150VDC	600VDC
Max Switch current	DC0.5A	DC0.7A/AC0.5A
Max carry current	1.0A	2.5A
Max Contact resistance	100mΩ	100mΩ
Min insulation resistance	109Ω	1010Ω
Contact life	10 ⁷ times	
Temperature range	-10 ~ +85°C	
material	POM、PP(customization)	
Floating ball standard	Can be costumed according to (hollow floating ball、foaming floating ball、NBR foaming floating ball)	
Compression resistance of floating ball	0.2MPa(customization)	
lead	UL 1007 24AWG(customization)	



علی صنعت

طراحی و تنظیم این کاتالوگ صد درصد توسط شرکت علی صنعت انجام شده
و تمامی حقوق برای شرکت علی صنعت محفوظ میباشد

The design and layout of this catalog have been 100% done by
Ali Sanat Company and all rights are reserved for
Ali Sanat Company

021-33112229

09123118117

www.alisanat.com