

# لول سوئیچ الاکلنگی پلاستیکی

MODEL : L6-PP



**alisanat.com**



copyright © photo by alisanat.com

**alisanat.com**



copyright © photo by alisanat.com

**alisanat.com**



copyright © photo by alisanat.com

**alisanat.com**

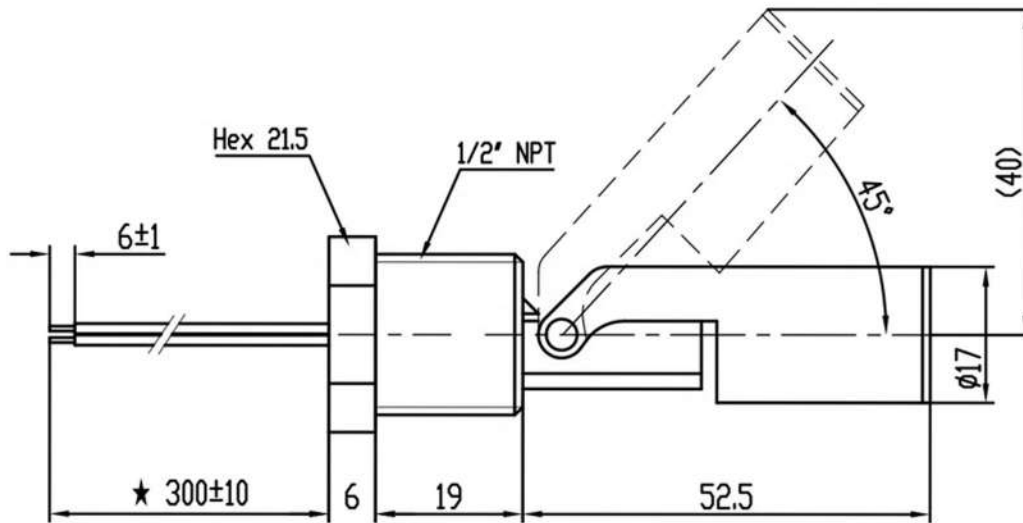


copyright © photo by alisanat.com

**alisanat.com**



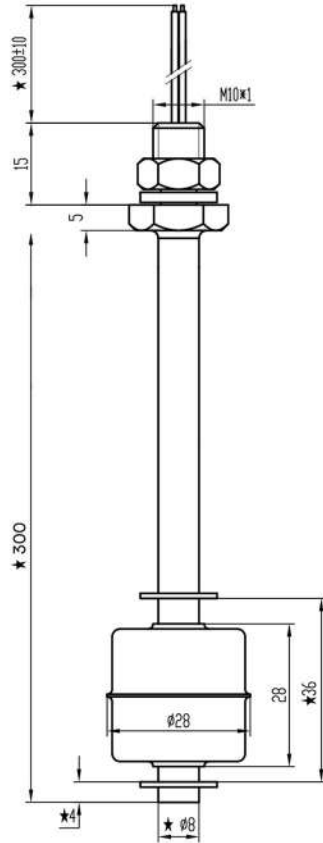
copyright © photo by alisanat.com


**Specifications:**

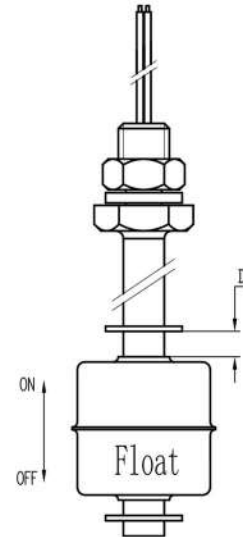
item	technical parameters	
Max contact power	10W	50W
Max switch voltage	100VDC/100VAC	350VDC/300VAC
Min break down voltage	150VDC	600VDC
Max Switch current	DC0.5A	DC0.7A/AC0.5A
Max carry current	1.0A	2.5A
Max Contact resistance	100mΩ	100mΩ
Min insulation resistance	109Ω	1010Ω
Contact life	10 <sup>7</sup> times	
Temperature range	-10 ~ +85°C	
material	POM、PP(customization)	
Floating ball standard	Can be costumed according to (hollow floating ball、foaming floating ball、NBR foaming floating ball)	
Compression resistance of floating ball	0.2MPa(customization)	
lead	UL 1007 24AWG(customization)	

### specification

Customer		Name	Stainless steel level sensor	Type	<b>300 cm</b>
----------	--	------	------------------------------	------	---------------



#### Movement explanation



**Movement explanation:**  
 When the float up to the D position in the position between  $D=3\pm 1\text{mm}$ , the reed switches will be closed  
 Float ball reverses the opposite action.

BOM					Reed switch Electrical Specification		Product features	
No	Part name	Specification	Material	Quantity	1.Contact form	A(NO.)	1.Float pressure[MPa]	0.7
1	Float	Ø28*28	SUS304	1PC	2.Contact rating[W]	50	2.Applicable temperature[°C]	-10~+85
2	Float ball	10110	SUS304	1PC	3.Max switching voltage[V]	DC350/AC300	3.Withstand voltage	1000V/10S
3	Cap nut	M10	SUS304	2PCS	4.Breakdown voltage[V]	600VDC	4.Terminal tensile strength[Kg]	3.6
4	O-ring	Ø15*Ø10*2	rubber	2PCS	5.Max switching current[A]	DC0.7/AC0.5	5.The contact resistance[mΩ]	170
5	E-ring	Ø14.2*Ø7.2*1.4	SUS304	2PCS	6.Max carry current[A]	2.5	6.Insulation resistance	2000MΩ/500V
6	Wire	UL1007 22# black	PVC	300mm	7.Contact resistance[mΩ]	100max		
7	Filling	5321A Black+5323B	epoxy glue	—	8.Insulation resistance[Ω]	10 <sup>5</sup> min		
8	Terminal	—	—	—	9.Get an electric shock life	10 <sup>5</sup>		
9	Housing	—	—	—				
10	Reed switch	—	Imported	1PC	designed by	Checked by	Drawing by	Drawing Date
11	Circuit board	—	—	—				
						Scale	Sheet	Edition
						1:1	1	A



# علی صنعت

طراحی و تنظیم این کاتالوگ صد درصد توسط شرکت علی صنعت انجام شده  
و تمامی حقوق برای شرکت علی صنعت محفوظ میباشد

The design and layout of this catalog have been 100% done by  
Ali Sanat Company and all rights are reserved for  
Ali Sanat Company

021-33112229

09123118117

[www.alisanat.com](http://www.alisanat.com)